

## SANDIA Technical Data

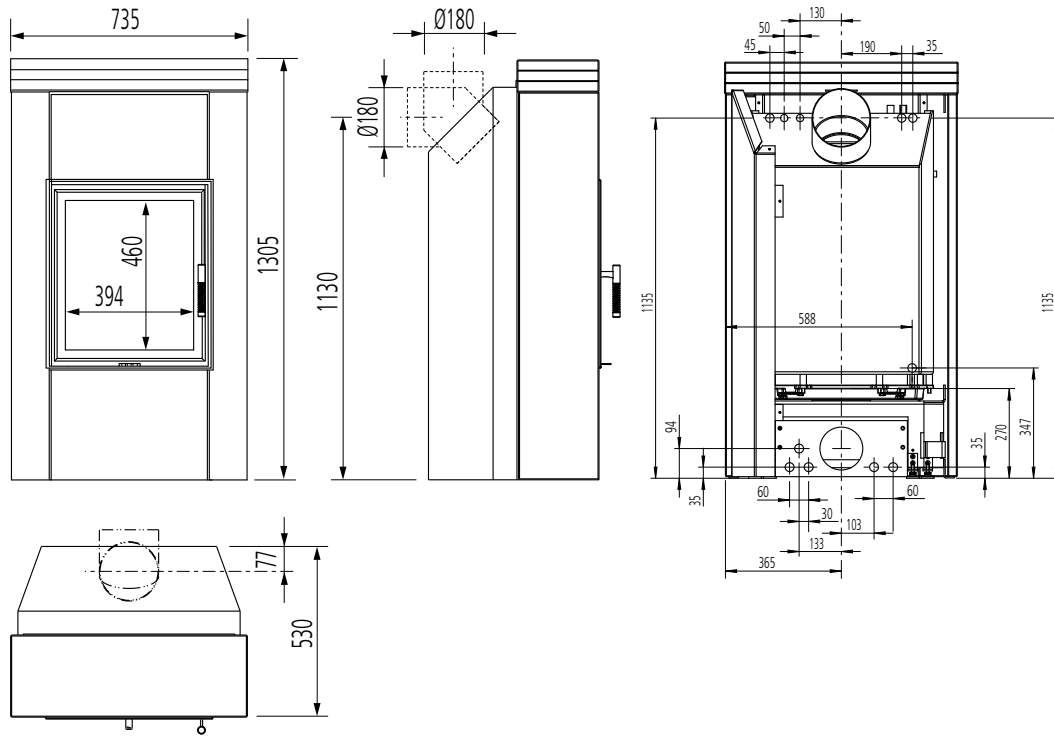
Roomheater type		SANDIA
Inspection in accordance with EN 13240		CE mark
<b>Data for the flue dimensioning according to EN 13384 parts 1 and 2</b>		
Nominal heat output	[kW]	12
Nominal heat output splitting		
Water heating output	[kW]	7,5
Space heating output	[kW]	4,5
Flue spigot temperature	[°C]	280
Flue gas mass flow	[g/s]	12,0
<b>Data for the chimney unit dimensioning in relation to the rated heat load</b>		
Fuel filling quantity	[kg]	3,0
Burning rate	[kg/h]	3,0
Minimum- / Maximum <sup>1)</sup> feed pressure at the flue spigot	[Pa]	12 / 20
<b>Emission thresholds and efficiency factor</b>		
CO in relation to 13% O <sub>2</sub>	[mg/m <sup>3</sup> <sub>N</sub> ]	< 1250
Dust content in relation to 13% O <sub>2</sub>	[mg/m <sup>3</sup> <sub>N</sub> ]	< 40
OGC in relation to 13% O <sub>2</sub>	[mg/m <sup>3</sup> <sub>N</sub> ]	< 120
NO <sub>x</sub> in relation to 13% O <sub>2</sub>	[mg/m <sup>3</sup> <sub>N</sub> ]	< 200
Efficiency	[%]	> 80
<b>Minimum clearance distances from combustibile materials</b>		
rear	[cm]	20
sides	[cm]	20
In the radiation area of the viewing glass	[cm]	80
<b>Combustion air</b>		
Combustion air demand	[m <sup>3</sup> /h]	50
Combustion air inlet	Ø [mm]	125
<b>Dimensions and weights</b>		
Burning chamber (w x h x d)	[cm]	38 x 40 x 25
Weight roomheater	ca.[kg]	405
Water content	ca. [l]	29
Flow / Return tappings	[inch]	3/4
Max. allowable working pressure	max. [bar]	2,5
Max. allowable flow temperature	max. [°C]	95
Max. allowed working pressure of safety heat exchanger	max. [bar]	10

<sup>1</sup> This maximum value is important to get an optimal efficiency.

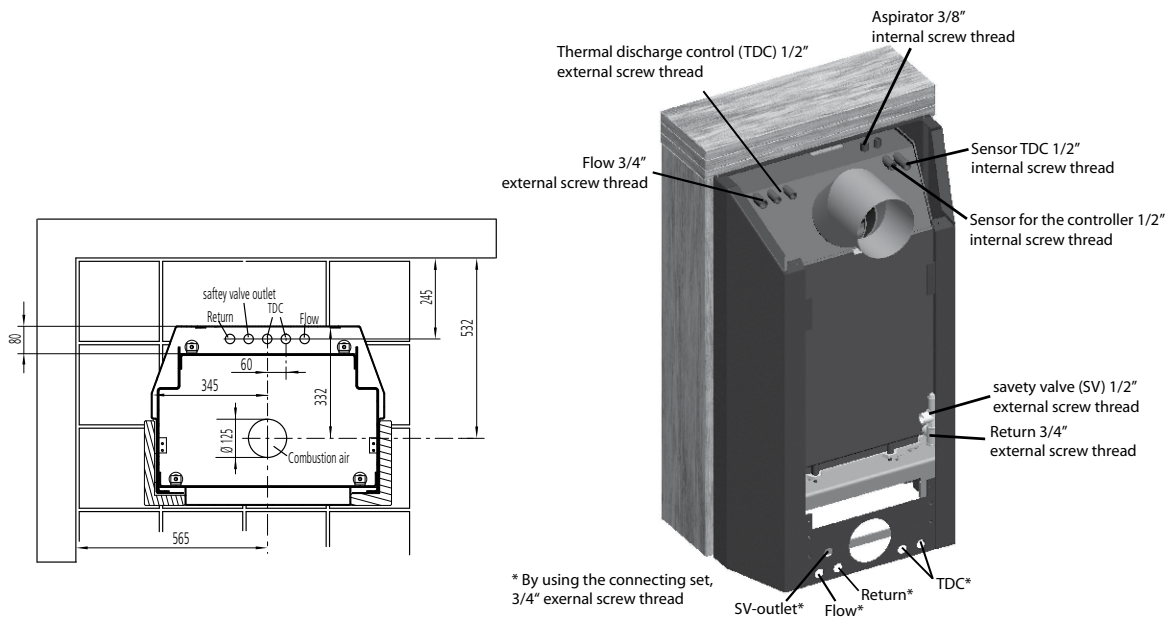
Modifications of the dimensions  
and construction reserved!

Drawing is not true to scale!

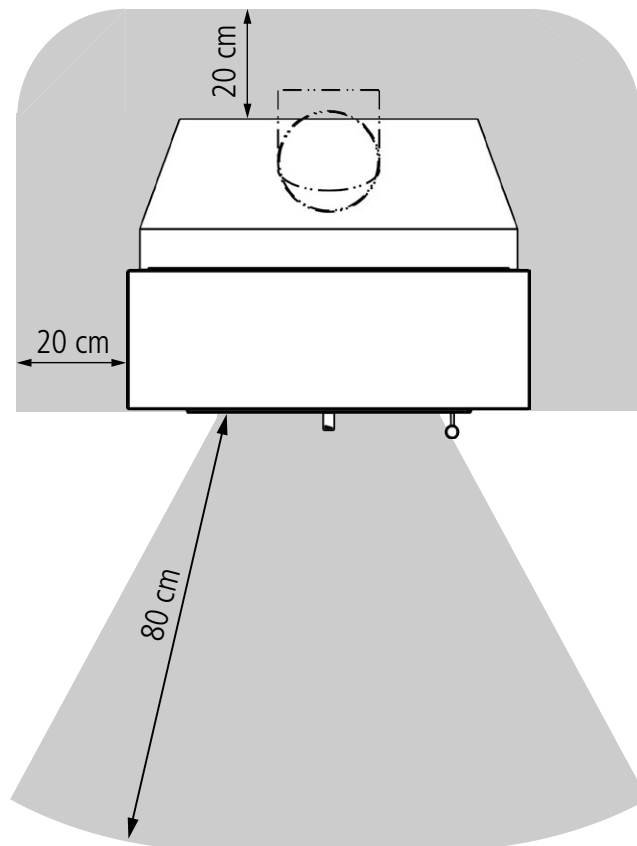
### Dimensions



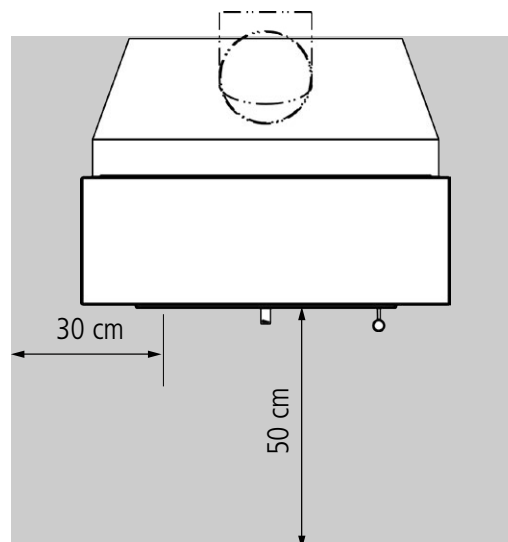
### Dimension of the water connections



Minimum clearance distances from combustible materials and non burning floor underlay



Minimum clearance to the sides, rear and the radiation area of the viewing glass



non burning floor underlay to the sides and in the front of the roomheater